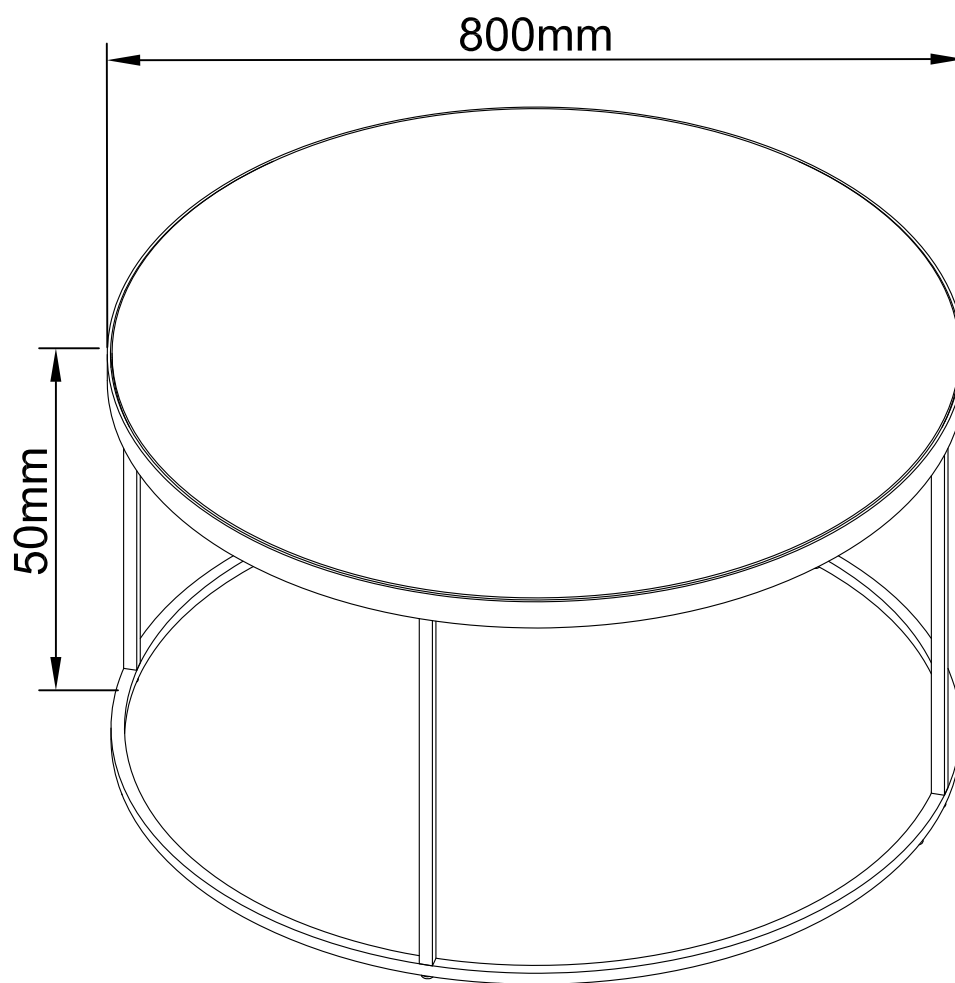


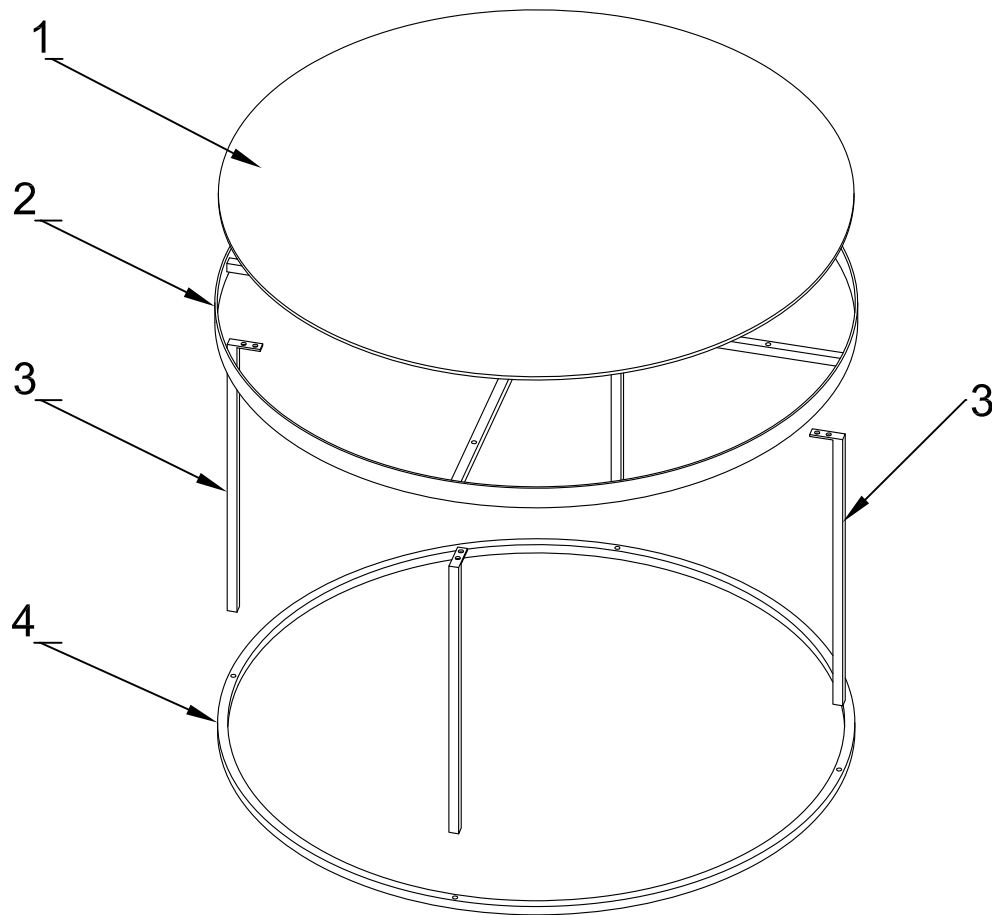
# MIRANDA

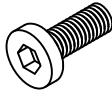
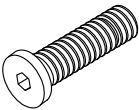
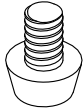
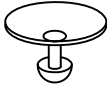
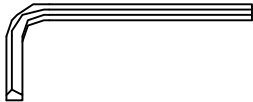
2018-7-24




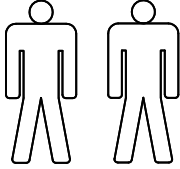
# MIRANDA


2018-7-24



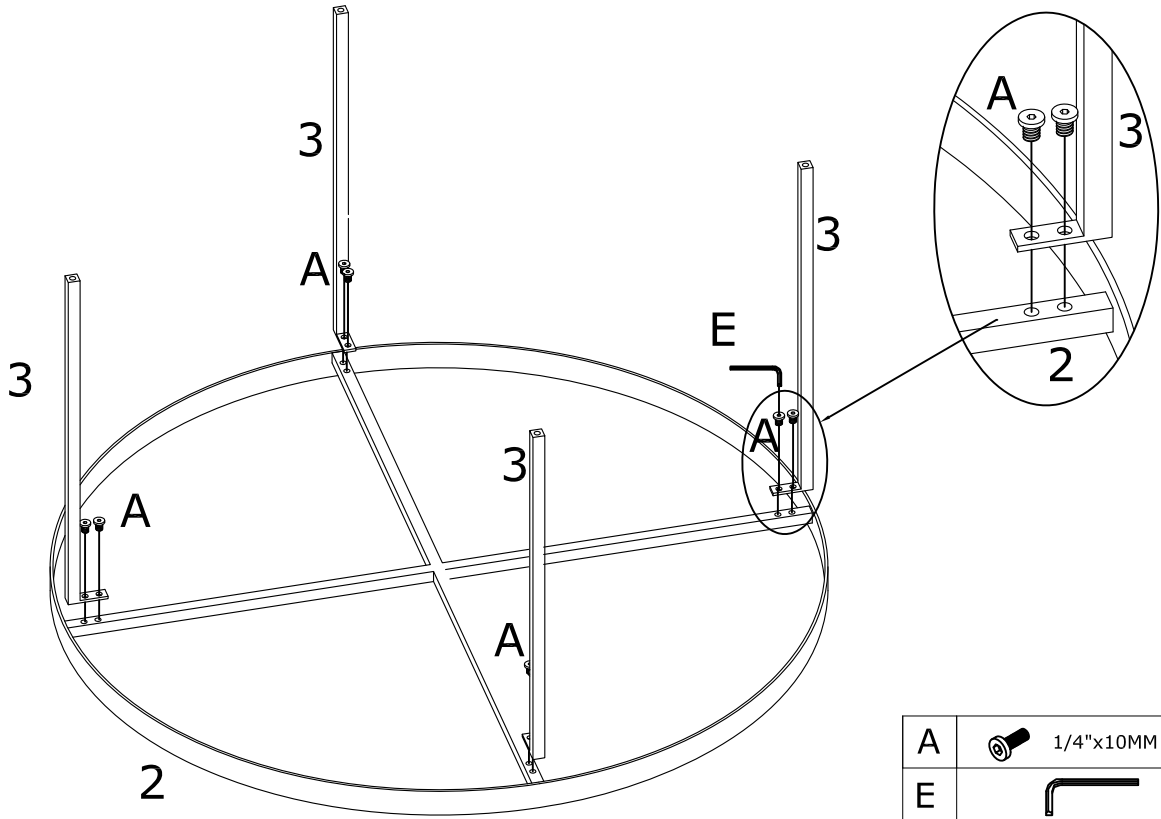
<b>A</b>		1/4"x10MM	8 PCS
<b>B</b>		M6x30MM	4 PCS
<b>C</b>			5 PCS
<b>D</b>			4 PCS
<b>E</b>			1 PC



  
 25min



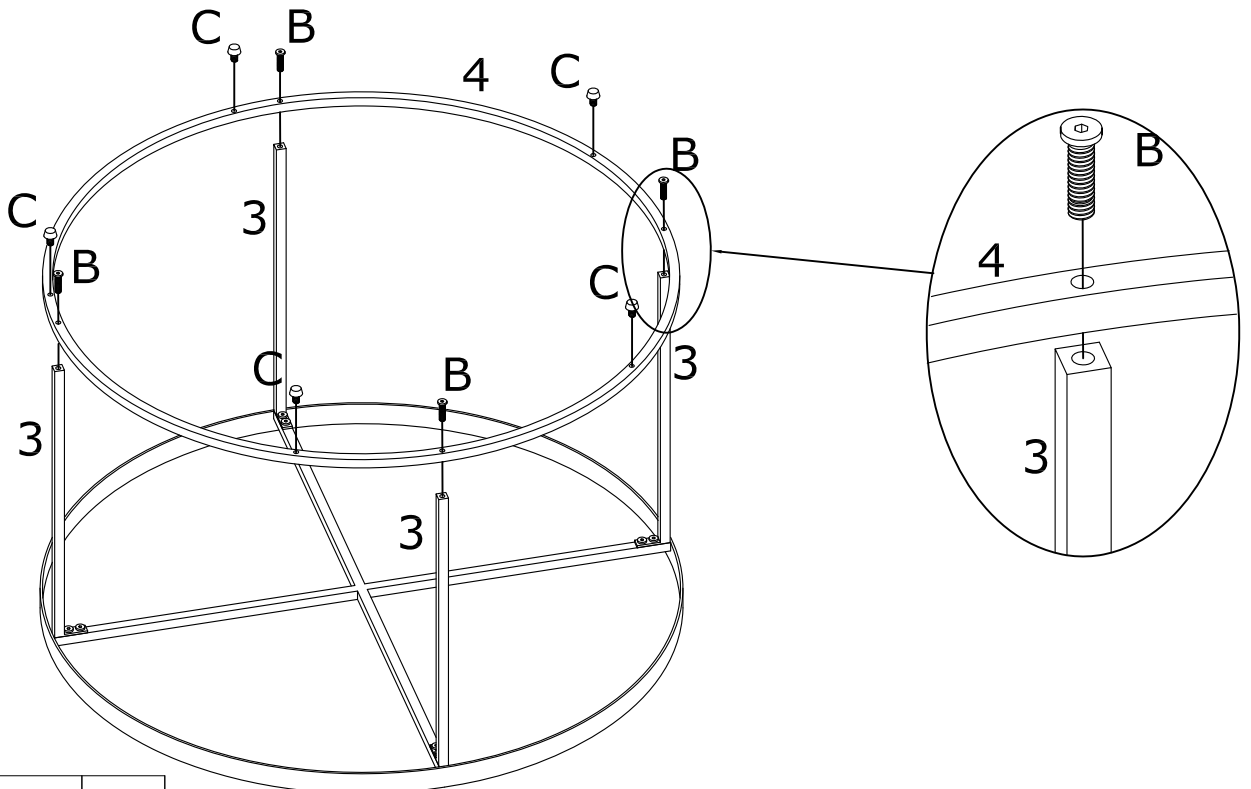





### Step1



A	 1/4"x10MM	8 PCS
E		1 PC

### Step2



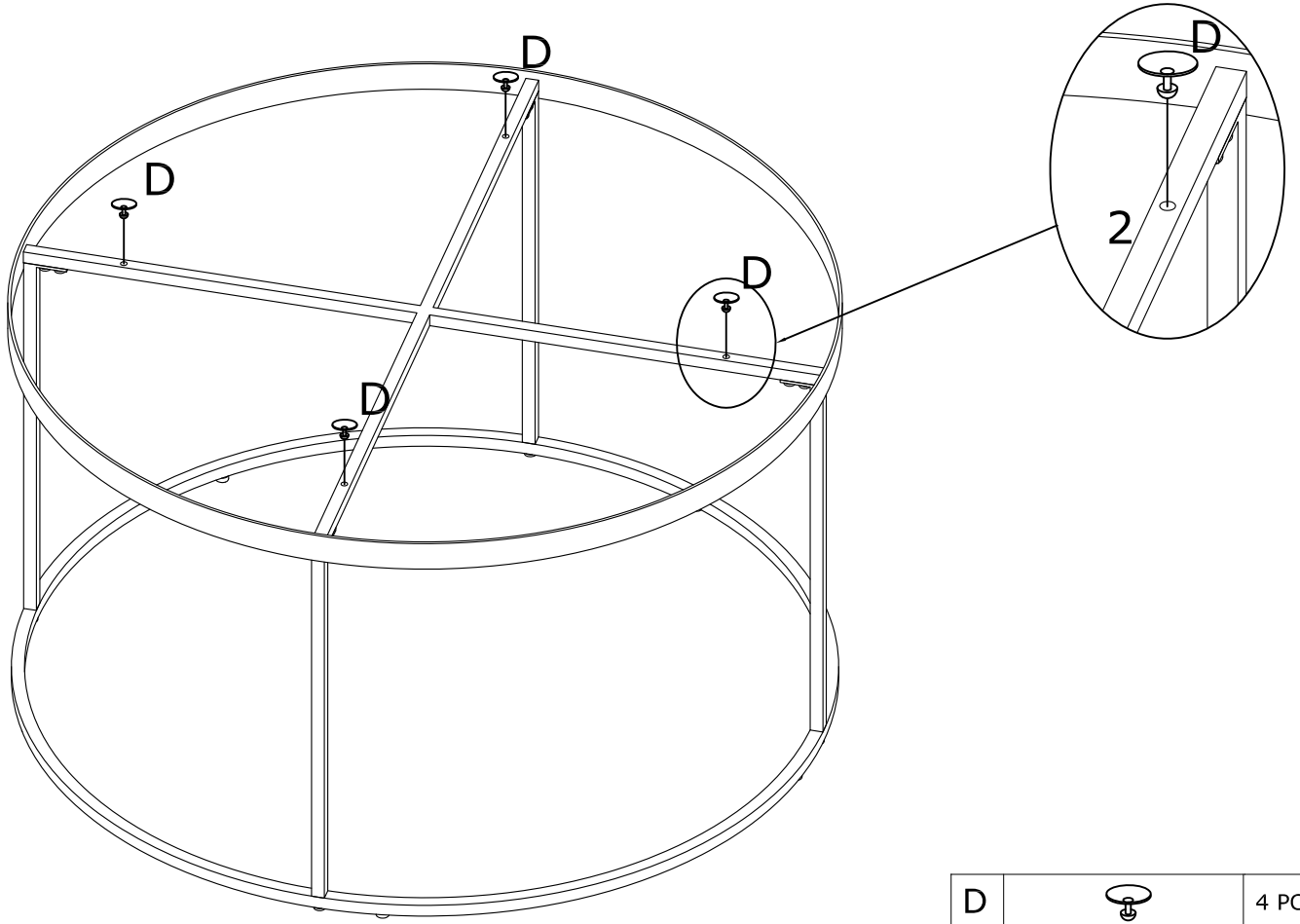
B	 M6x30MM	4 PCS
C		5 PCS
E		1 PC

3

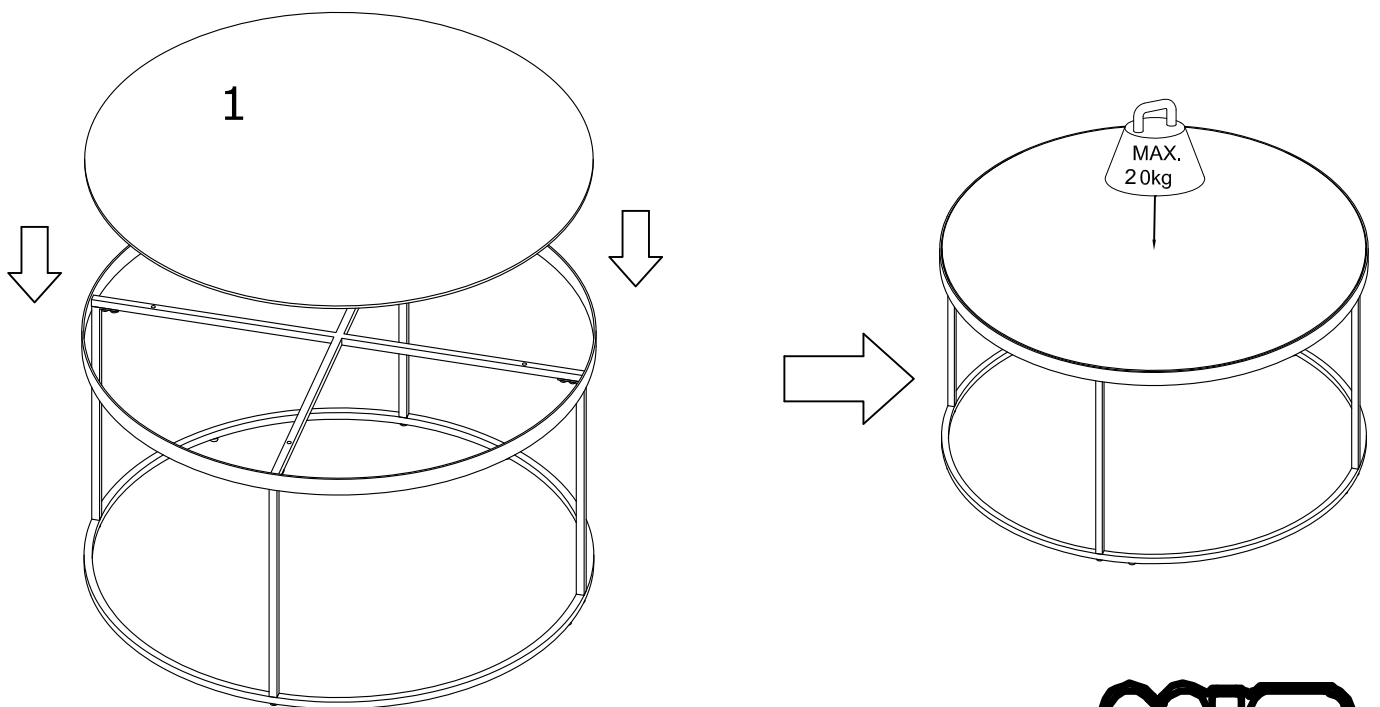


# Step3

2018-7-24



# Step4



4

