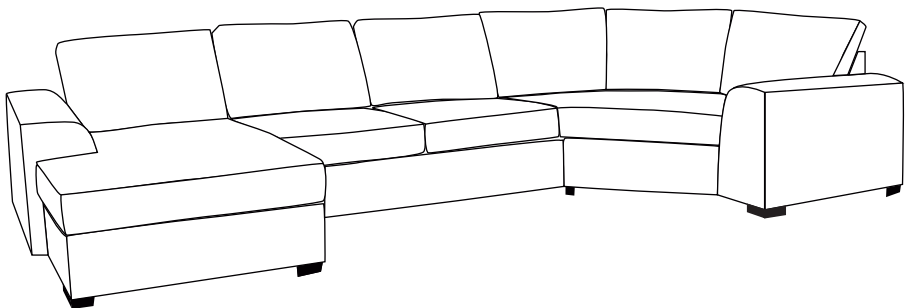


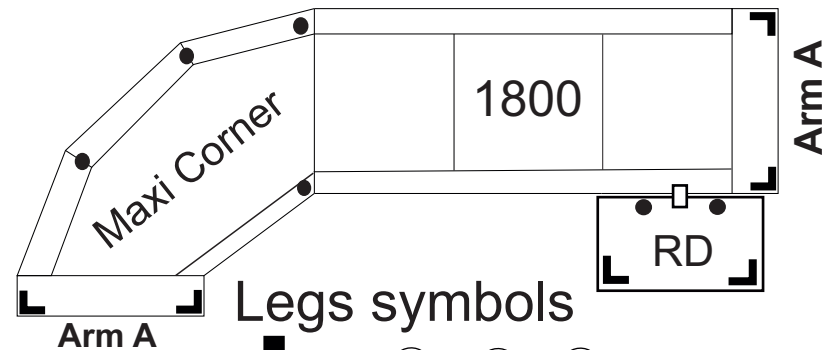
# Nevada/Vegas Schäslong+3-s+cosy hörn assembly ARM A



Vegas



Nevada



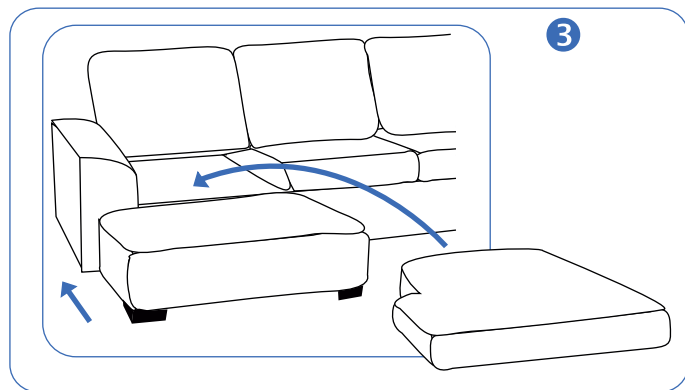
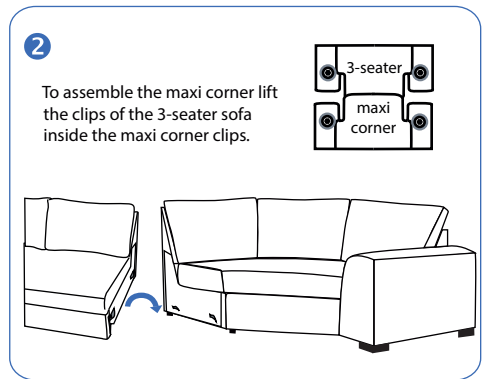
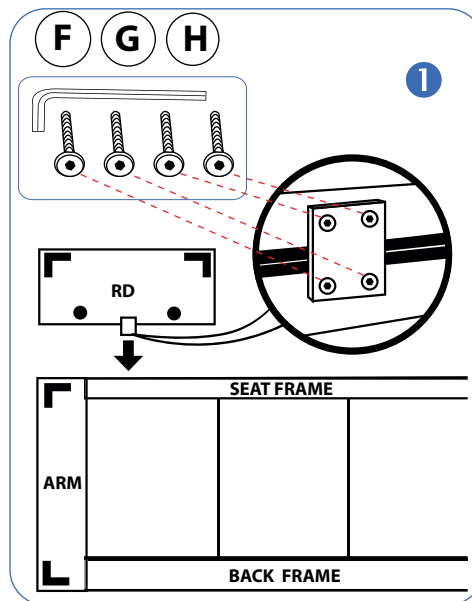
## Legs symbols

└─ (A) + (B) + (C)

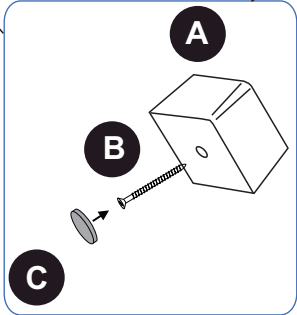
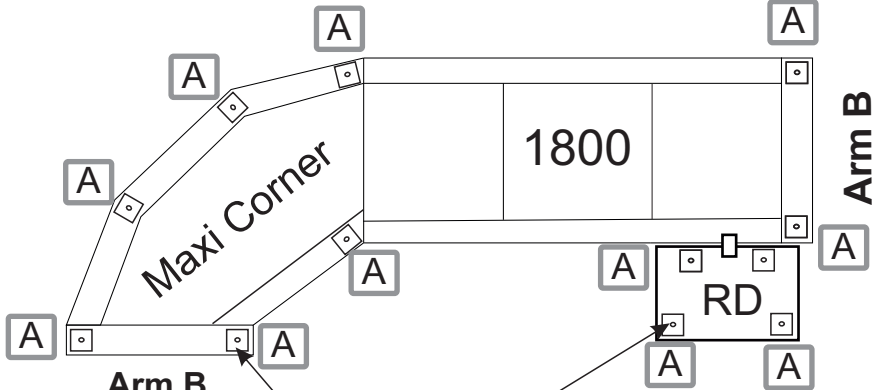
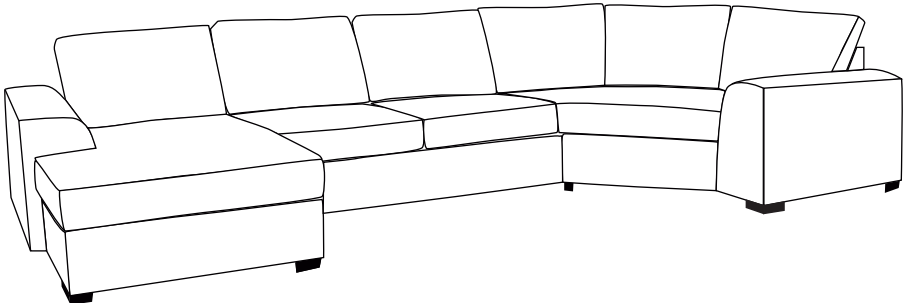
● (D) + (E) + (C)

### Components - Fittings

<p><b>A</b> 6 x</p> <p><i>Note: use only 3 screws in each leg!</i></p>	<p><b>B</b> 18 x</p> <p>M5*50</p>	<p><b>C</b> 24 x</p> <p>∅27 Felt</p>	<p><b>D</b> 6 x</p> <p>H60</p>
<p><b>E</b> 6 x</p> <p>M5*30</p>	<p><b>F</b> 4 x</p> <p>M6*30</p>	<p><b>G</b> 1 x</p>	<p><b>H</b> 1 x</p>



# Nevada/Vegas Schäslong+3-s+cosy hörn assembly ARM B



## Components - Fittings

<b>A</b> 12 x	<b>B</b> 12 x  M5*50	<b>C</b> 12 x $\varnothing 27$ Felt	<b>D</b> 4 x  M6*30	<b>E</b> 1 x
<b>F</b> 1 x				

